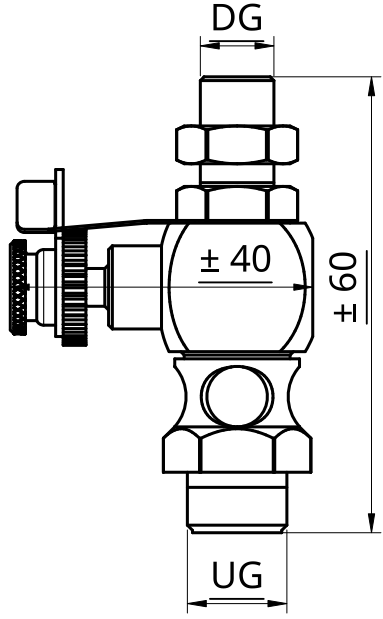
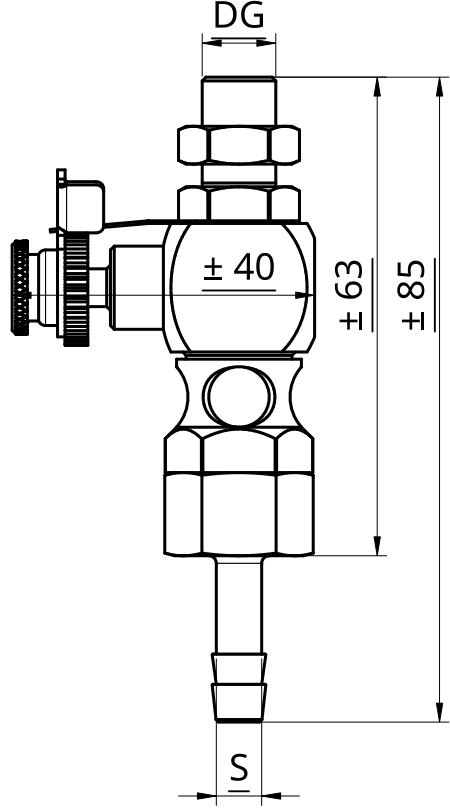


**OTR**



**OTS**



Type	OG	UG
<b>OTR</b>	G1/8	G1/4
	G1/8	G3/8
	G1/4	G1/4
	G1/4	G3/8
	G3/8	G1/4
	G3/8	G3/8
		<b>S Ø i.</b>
<b>OTS</b>	G1/8	6 Ø
	G1/4	6 Ø
	G3/8	6 Ø
andere Schlauchtüllen a.A.		

UNLESS OTHERWISE SPECIFIED,  
DIMENSIONS ARE IN MILLIMETERS

ANGULAR = ± °

SURFACE FINISH

DO NOT SCALE DRAWING

BREAK ALL SHARP EDGES AND REMOVE BURRS

FIRST ANGLE PROJECTION

	NAME	SIGNATURE	DATE
DRAWN	KAI FRIEDRICH		2020-12-11
CHECKED			
APPROVED			
MATERIAL	NPB		
FINISH			



TITLE			
UNI-Oeltropfer Type <b>OTR / OTS</b>			
SIZE	DWG NO.	REV.	
<b>A4</b>			
SCALE	WEIGHT	SHEET	1 of 1
1:1			